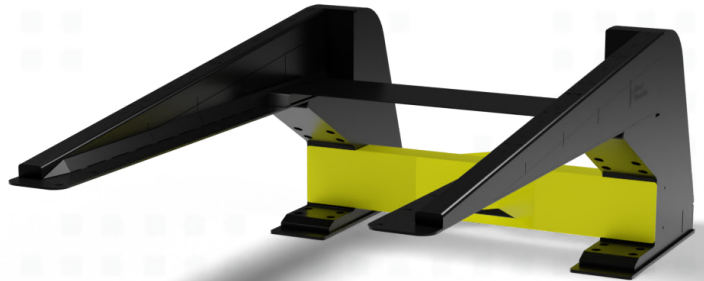


NORD P&D Stand Cantilever 1200 V1 - OTTO 1500

The NORD P&D Stand Cantilever for OTTO Motors can hold pallets with a total weight of up to 1200 kg (2645 lbs).

A Nord Modules Lift mounted on an OTTO 1500 can dock in the P&D Stand Cantilever to receive or deliver a pallet.

The P&D Stand Cantilever has a small footprint and can be mounted side by side. It is easy to set up and mount.



NORD compatibility



NORD Lift EU V1 - OTTO 1500 & NORD Lift 60 V3 - OTTO 1500

OTTO compatibility



OTTO 1500

Designated use	Hold or receive a pallet with a max payload of 1 200 kg
Product name	Nord P&D Stand Cantilever 1200 V1 - OTTO 1500
Robot compatibility	OTTO 1500
NORD compatibility	Nord Lift EU V1 - OTTO 1500 & Nord Lift 60 V3 - OTTO 1500
Color	RAL9005 - Jet Black RAL1003 - Signal Yellow
Max payload capacity	1 200 kg 2 645 lbs
Disclaimer	Specifications may vary based on local conditions and application



Small footprint



Unique centering mechanism



Simple and fast to mount

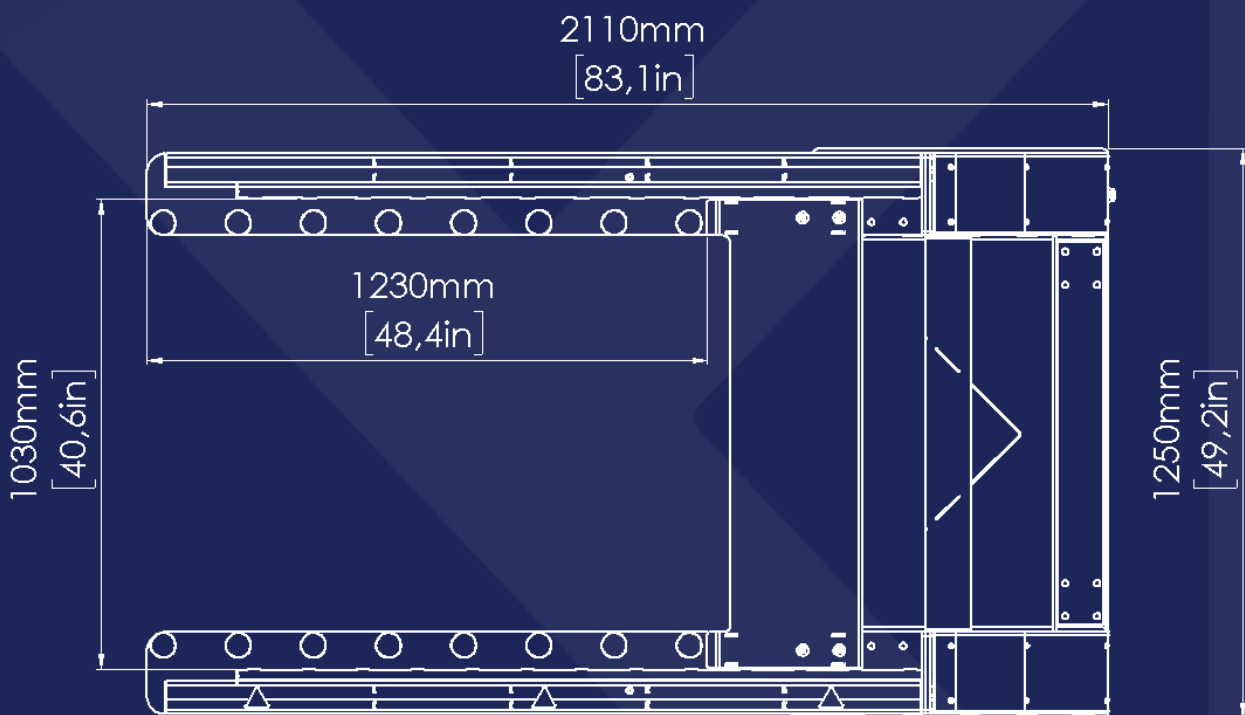
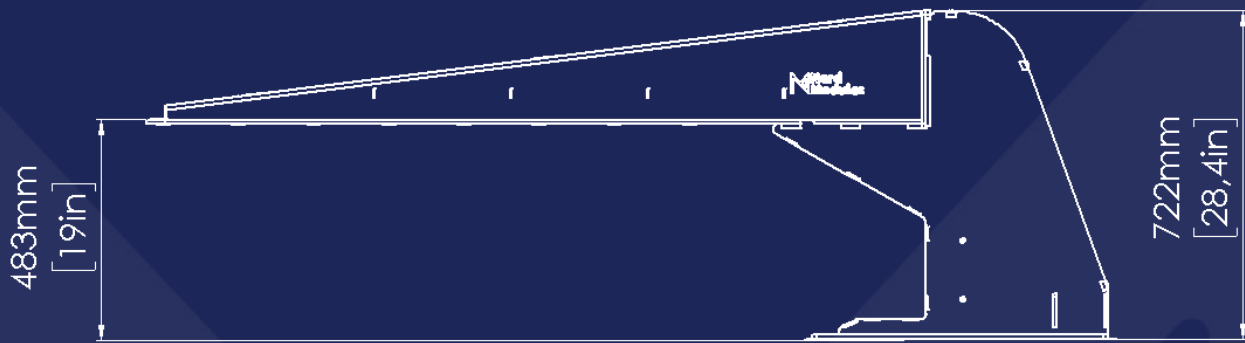


EU-size or US-size



Max payload of up to 1200 kg

Specifications



Dimensions

Length	2110 mm 83.1 in
Width	1250 mm 49.2 in
Height (total)	722 mm 28.4 in
Height from floor to button of pallet	483 mm 19 in
Depth of holding area	1230 mm 48.4 in

Pallets

Pallet size dimensions	1 219 mm x 1 016 mm 48 x 40 in
------------------------	----------------------------------