

# Nord Pallet Rack MD

The Nord Pallet Rack for OMRON can hold pallets with a total weight of up to 1400 kg (3086 lbs) and comes in both a version for EU-size pallets, and a version for US-size pallets

The Nord Pallet Lifts mounted on an OMRON AMR can dock in the Pallet Rack to receive or deliver a pallet.

The Pallet Rack is easy to mount and setup – simply measure the correct distance between the two parts and bolt the rack to the floor. It has a unique centering mechanism that makes sure the pallets gets centered every time.



## Nord compatibility



Nord PL-EU MD, Nord PL-US MD, Nord PM800 MD & PM1000 MD

## OMRON compatibility



OMRON MD-650 & MD-900

|                       |  |
|-----------------------|--|
| Designated use        | Hold or receive a pallet with a Max. payload of 1 400 kg |
| Robot compatibility   | Omron MD-650 & Omron MD-900                              |
| Nord compatibility    | Nord PL MD (EU & US) & Nord PM MD (800 & 1000)           |
| Weight (HD version)   | 176.6 kg   389.2 lbs                                     |
| Max. payload capacity | 800 kg   1 763.7 lbs                                     |

Disclaimer

Specifications may vary based on local conditions and application



Small footprint



Unique centering mechanism



Simple and fast to mount



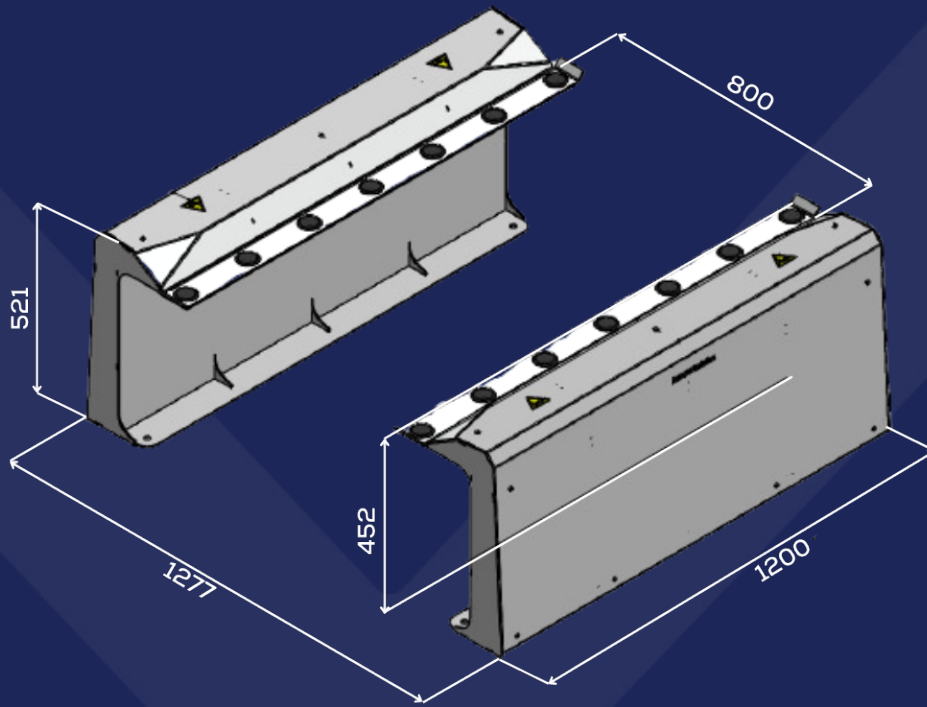
One size for all pallet dimensions



Max. payload of up to 800 kg

# Specifications

---



## Dimensions

|                         |                    |
|-------------------------|--------------------|
| Length                  | 1 200 mm   47.2 in |
| Width (Mounted)         | 1 277 mm   50.3 in |
| Height, floor to pallet | 452 mm   17.8 in   |
| Height, total           | 521 mm   20.5 in   |

